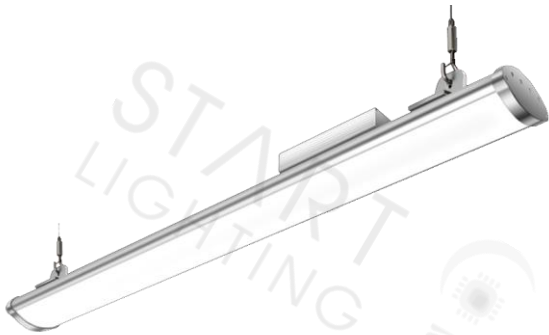


Hi-Performance Linear High Bays



Project:	
Type:	
Catalog#:	

Description

START Lighting's Hi-Performance LED Linear High Bay Fixtures provide unsurpassed ambient light coverage and energy savings for indoor and outdoor applications. These popular fixtures allow quick and seamless installation reducing downtime and installation costs in addition to the significant energy & maintenance costs savings over 5 years. With our quick mount system, our Hi-Performance Linear High Bay fixtures can be quickly repositioned as needed.

Features & Benefits

- Dimmable Hi-Efficiency Integral Driver
- HI-LUMEN SMD 2835 chipset / 50,000+ hour lifespan
- Consumes up to 75% less energy than standard fluorescent lamps
- IP65 Wet Location Rated
- Minimized install labor costs
- LM79/LM80/TM-21 data available
- Working Temp: -40°F to 113°F
- Rugged IK10 Impact Resistant Rating
- Frosted 60°F Lens standard. Other lens/beam angle options available. Consult Factory.

SPECIFICATIONS	DETAILS
Model	YLHB-RDW15D-xxAD
Input Power (W)	150
Power Input Voltage	120-277VAC
Delivered Lumens (lm)	21,000-22,050
Power Factor	≥0.90
CRI	>83
Color Temperature (K)	5000K Standard / 4000K, 3000K Optional
Dimming	0-10V Dimming Standard
Certification	UL, DLC Premium 4.0, FCC
Material Compliance	RoHS Compliant, Contains no Mercury
Application Rating	Indoor & Outdoor Use / IP65 Wet Location Rated
Mounting	Quick Mount Suspension
Operating Temperature	-40°F to 113°F
Beam Angle / Lens	120° Beam Angle / Frosted (Clear Lens option available)
Hour Lifetime (L70)	50,000
Warranty	5 Years

*Dimensions and specifications subject to change without notice.

** "xx" represents Color Temperature: "30" =3000K / "40" =4000K / "50" =5000K

Hi-Performance Linear High Bay Ordering

Model Number	DETAILS	Luminaire MOL	Watts	CCT	Inventory Status
YLHB-RDW15D-50AD	Hi-Performance Linear High Bay: 150W, 120°, 5000K	47.50"	150	5000	Stock Item
YLHB-RDW15D-40AD	Hi-Performance Linear High Bay: 150W, 120°, 4000K	47.50"	150	4000	To Order
YLHB-RDW15D-30AD	Hi-Performance Linear High Bay: 150W, 120°, 3000K	47.50"	150	3000	To Order

Hi-Performance Linear High Bay Options

Model Number	DETAILS	Inventory Status
Mounting Options	Quick Mount Suspension(SS Wire)- STANDARD	Stock Item
Lens Options	Frosted Lens- STANDARD	Stock Item
	Clear Lens- Optional	To Order
Driver Options	0-10V Dimming Driver w/4KV Surge Suppression- Standard	Stock Item
	Mean Well Branded Driver- Optional	To Order
	EM Backup Power Supply- Optional	To Order
Control Options	Microwave Motion Sensor- Optional	To Order
	Zigbee- Optional	To Order

Hi-Performance Linear High Bay Dimensions

Vertical Mounting Model	A (Length)	B (Width)	C (Depth)
150W Hi-Performance HB	47.50"	5.50"	4.50"

